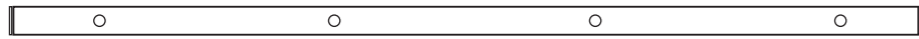
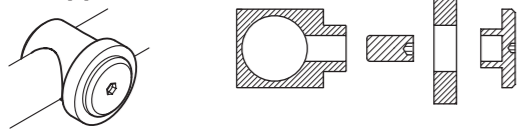


**1** Set sliding door fittings Antra I

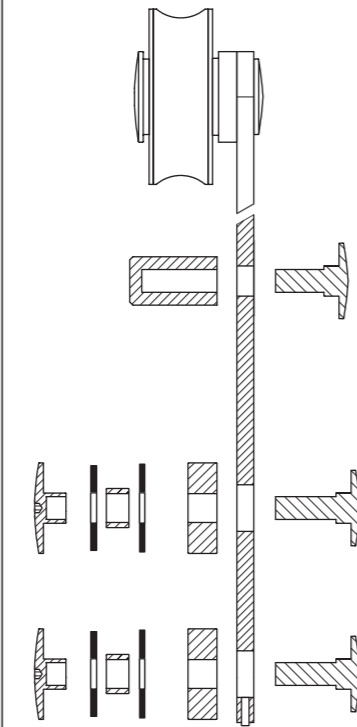
**2** Guide rail



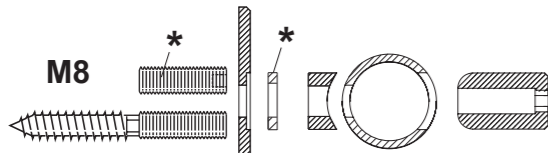
**3** Door stoppers



**4** Trolley complete

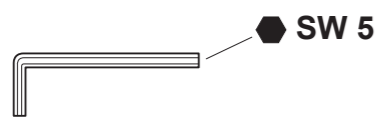


**5** Wall fixtures



(without screws and dowels, at construction site)  
\* not included in scope of delivery

**6** Special tool



**7** Bottom guide 8-12 mm



(without screws and dowels, at construction site)

Set Antra I Art.-No.	Set / Each						
	1	2	3	4	5	6	7
USO46-1800DB	1	2	2	4	1	1	
USO46-2100DB	1	2	2	4	1	1	
USO46-2300DB	1	2	2	5	1	1	
USO46-2540DB	1	2	2	5	1	1	

Comply with all general safety regulations when installing the sliding door fittings!

Installation to be completed by qualified licensed contractor.

Be sure to tighten all screw connections one week after starting to use the sliding door fittings!

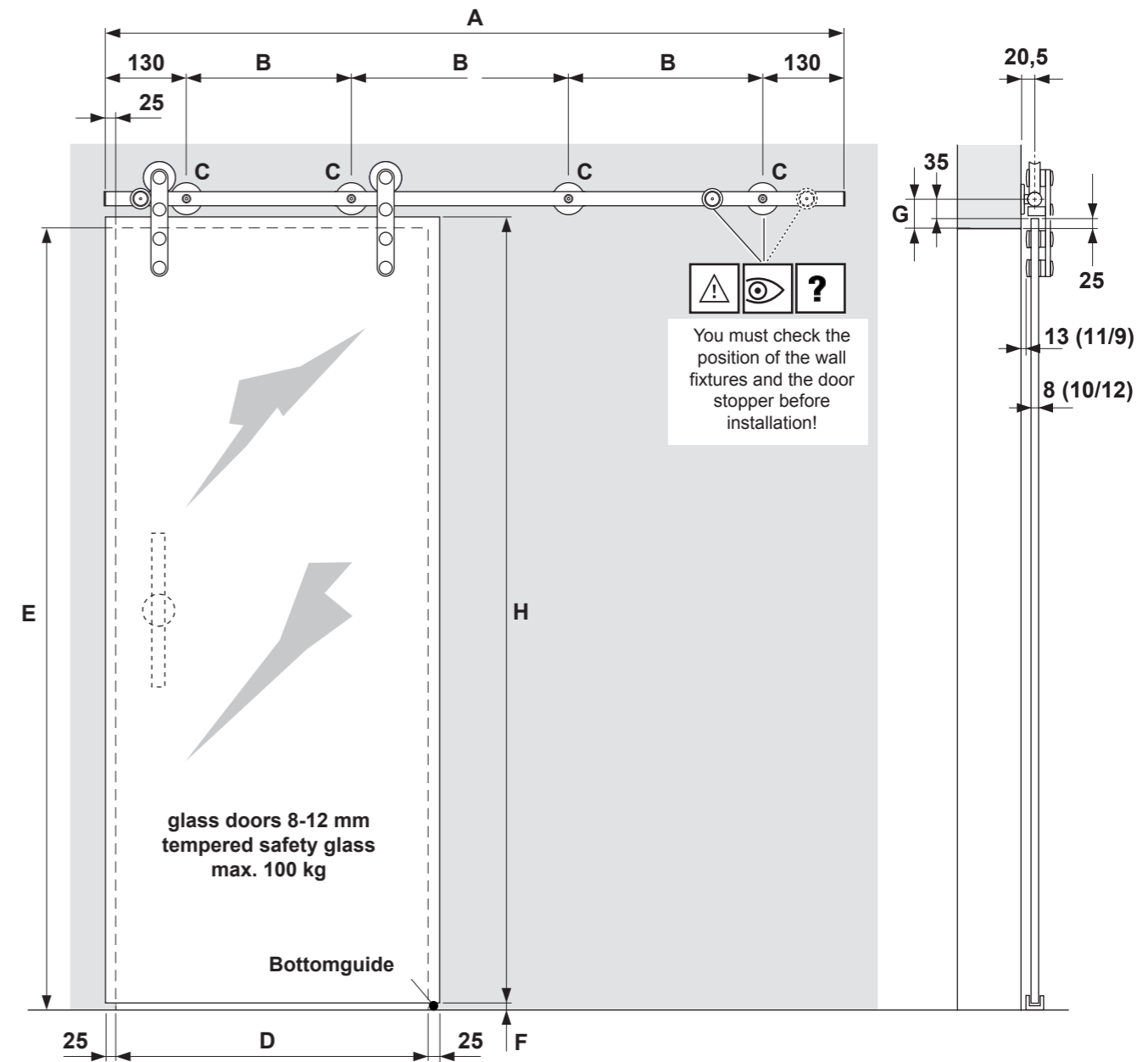
Never use scouring agents to clean the sliding door fittings; rather use commercially available stainless-steel cleaners!

- Attention
- Screw on
- Screw on
- Loosen/Tighten
- Install
- At right angle
- Drill
- Dowels
- Adjust Set
- Level
- Perpendicular
- Measure Mark
- Visual inspection
- Special-tool
- 2 people required
- Measure
- Clarify questions
- See Instructions
- Secure

# Installation instructions

## Sliding door fittings Antra I

for glass doors ( 8-12 mm )



**Complete-set's**

Set Antra I Art.-No.	A mm	B mm	C Each	D mm	E max. mm	F mm	G mm	H max. mm (H = E - F + 25)
USO46-1800DB	1800	513, 514, 513	4	750-900	2500	7-10	60	2518
USO46-2100DB	2100	613, 614, 613	4	910-1000	2500	7-10	60	2518
USO46-2300DB	2300	510	5	1010-1120	2500	7-10	60	2518
USO46-2540DB	2540	570	5	1130-1250	2500	7-10	60	2518

Right to make technical changes reserved - Dimensions in mm - Version 04.2016  
© by ABP-Beyerle GmbH



ABP-Beyerle GmbH

Im Schollengarten 24 b, D - 76646 Bruchsal (Germany)

Tel. + 49 - (0) 7257 / 9127 - 0, Fax + 49 - (0) 7257 / 9127 - 29, Email info@abp-beyerle.de, www.abp-beyerle.de

65 30 00.0191\_Antra I\_Mont\_GB

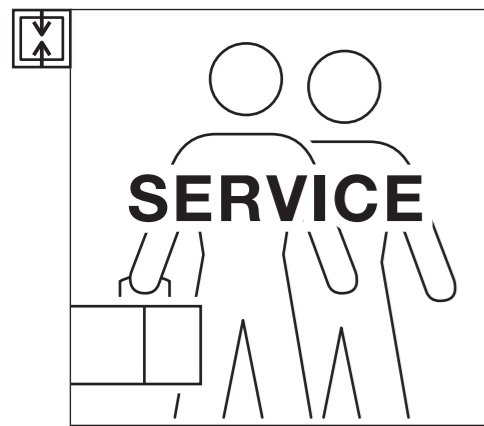


Abb. 1

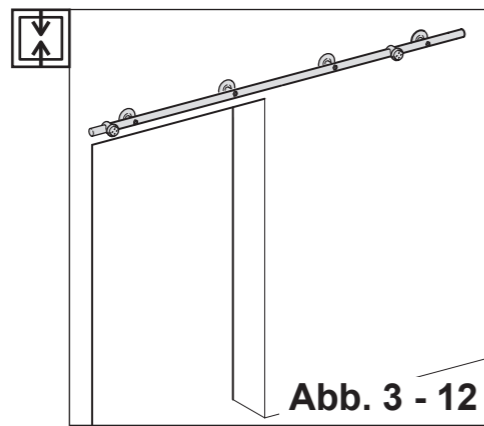


Abb. 2

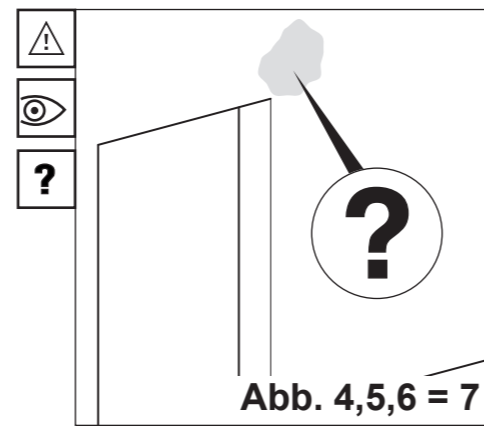


Abb. 3

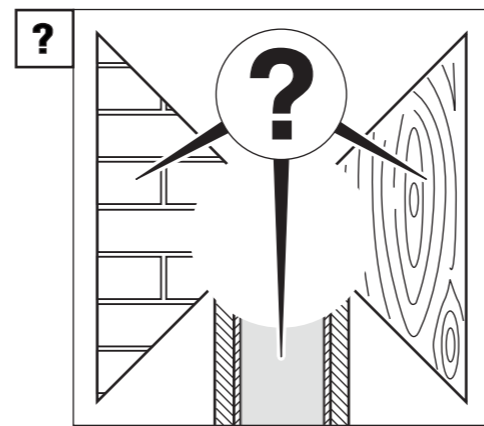


Abb. 4

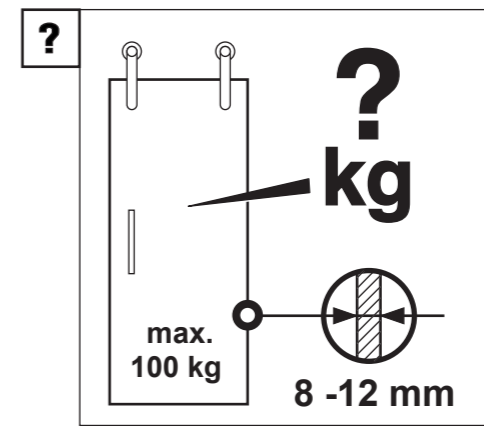


Abb. 5

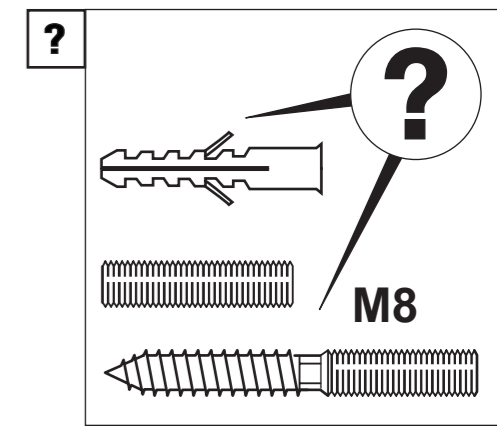


Abb. 6

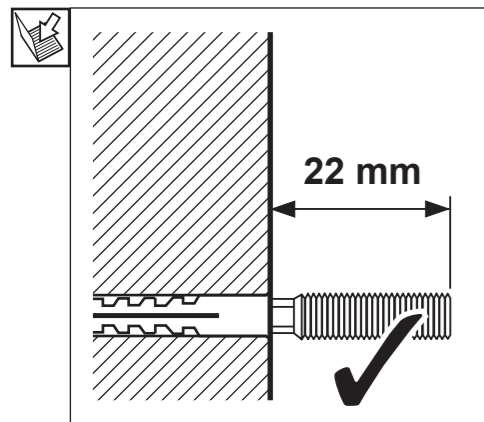


Abb. 7

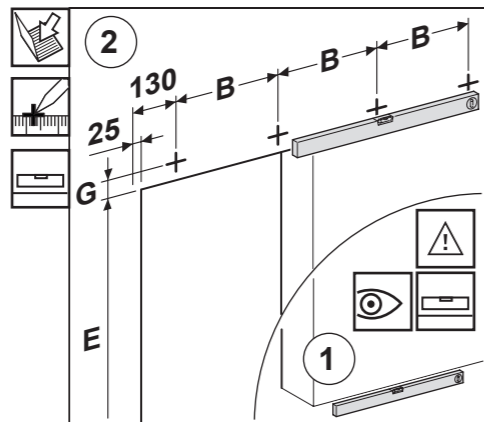


Abb. 8

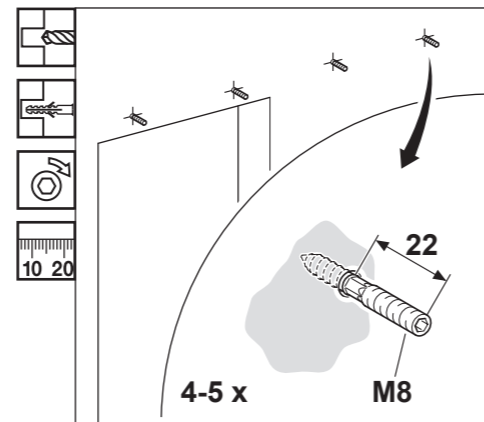


Abb. 9

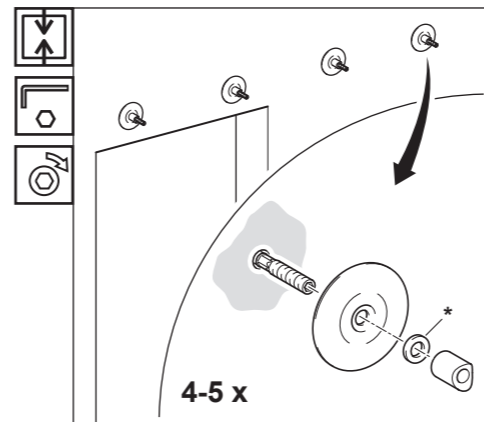


Abb. 10

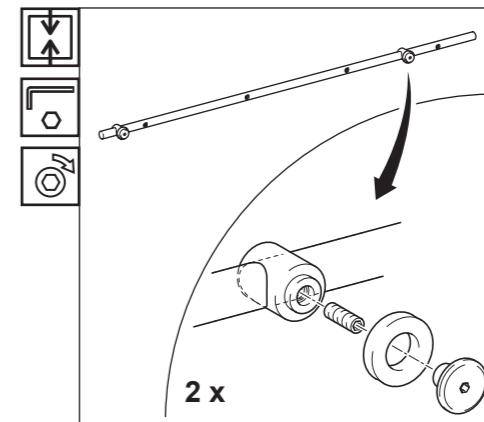


Abb. 11

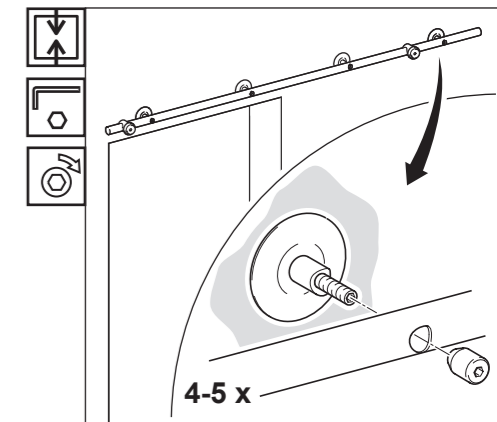


Abb. 12

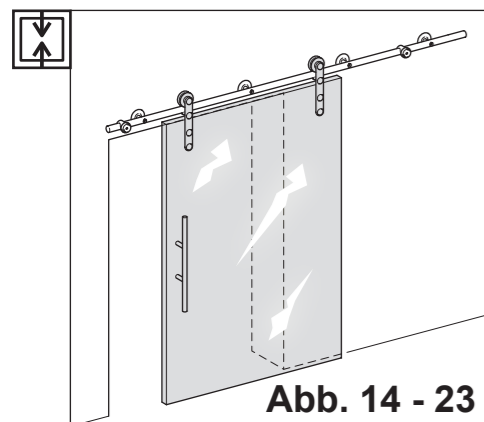


Abb. 14 - 23

Abb. 13

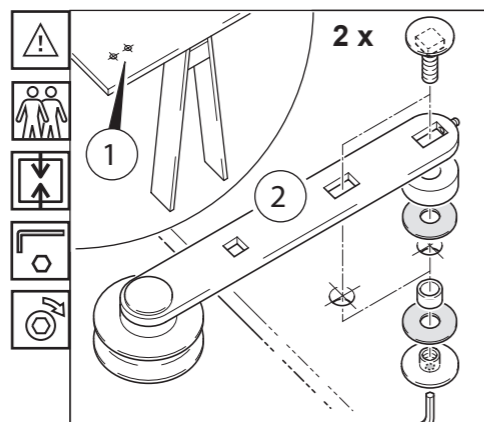


Abb. 14

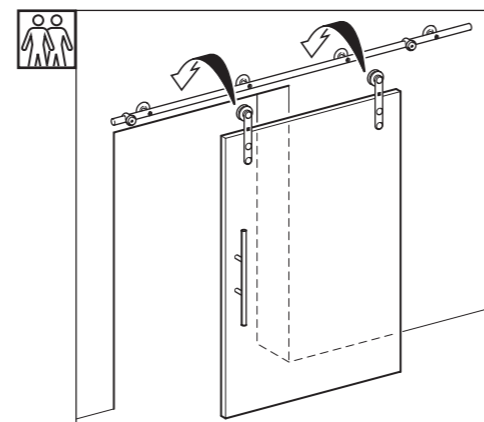


Abb. 15

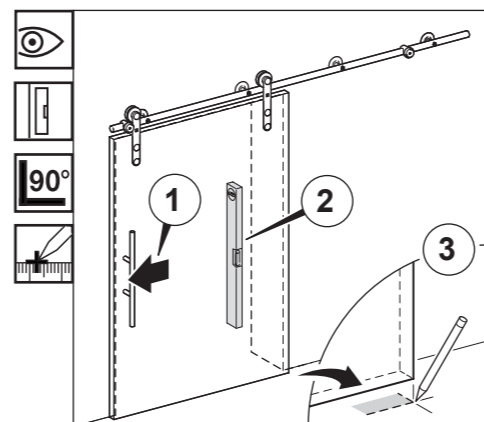


Abb. 16

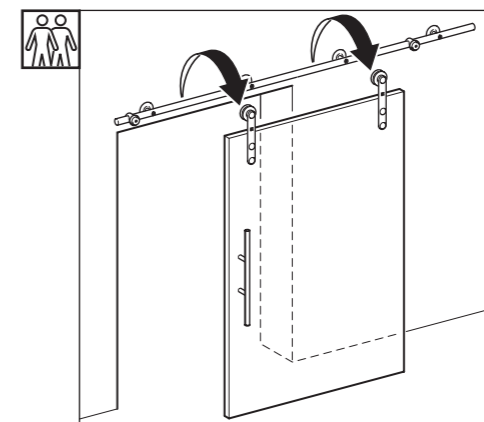


Abb. 17

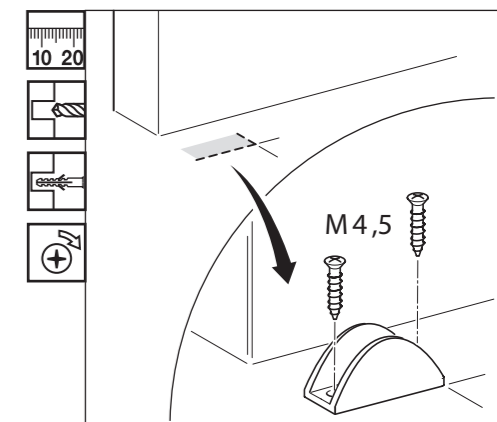


Abb. 18

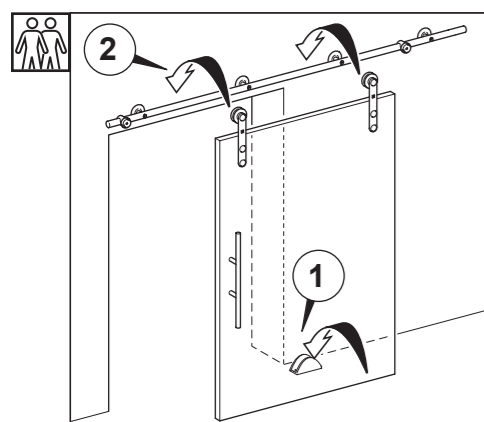


Abb. 19

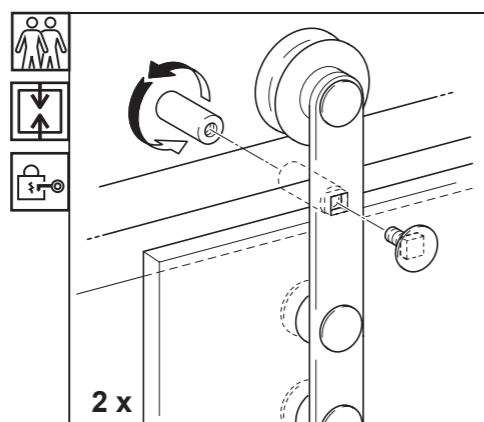


Abb. 20

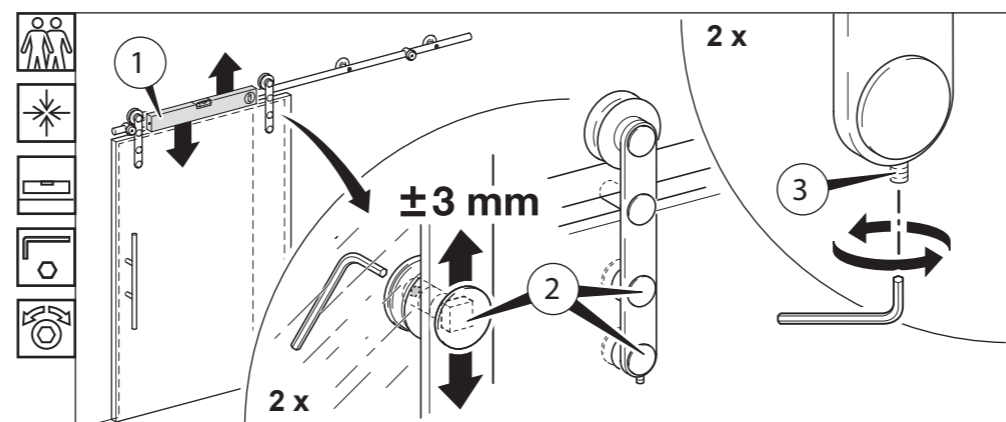


Abb. 21

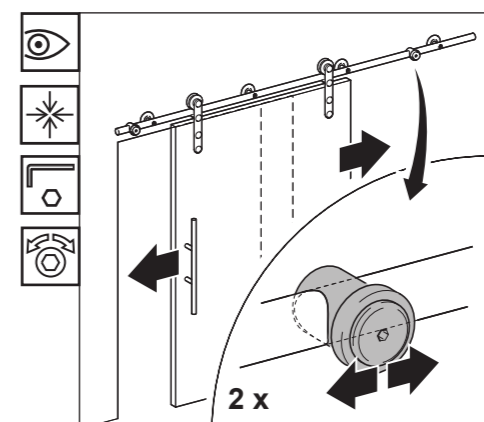


Abb. 22

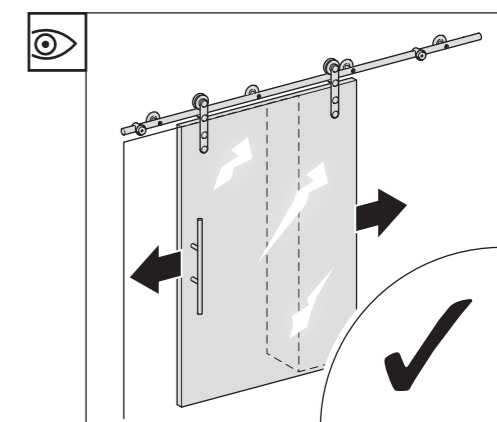


Abb. 23